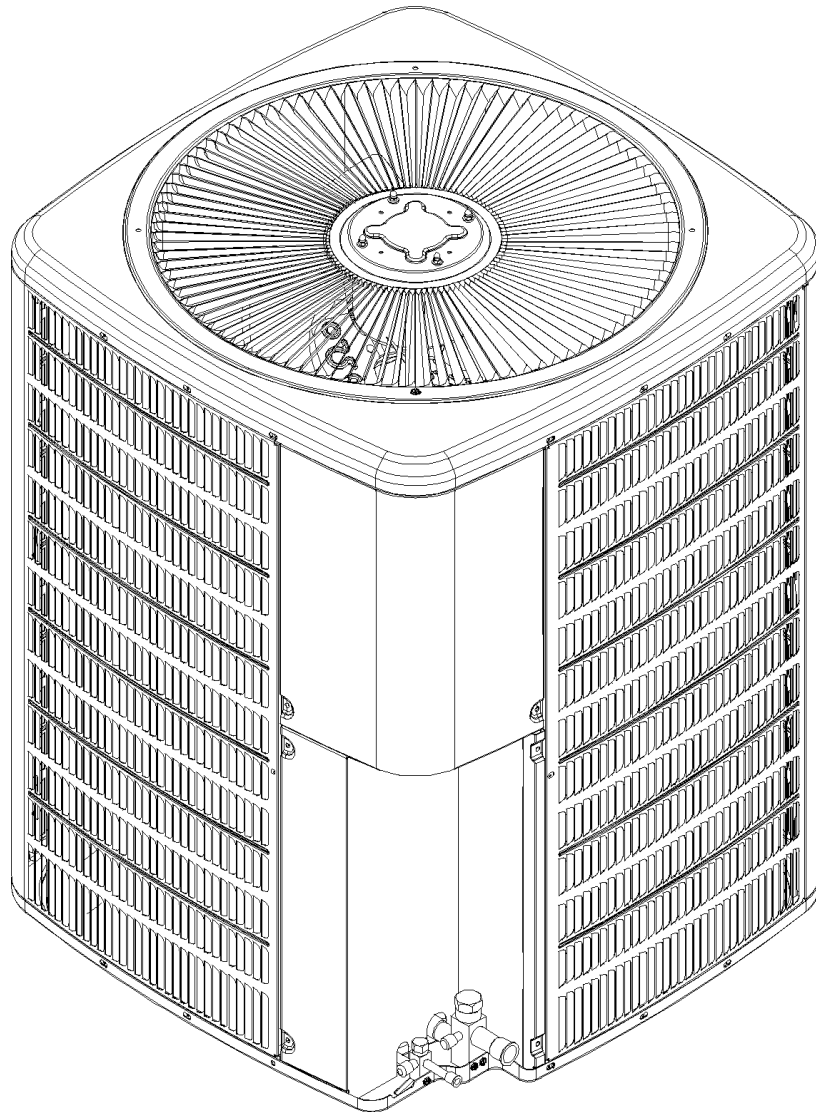


REPAIR PARTS

GSH13 Remote Heat Pumps

GSH130181AC
GSH130181BA
GSH130191AC
GSH130241AC
GSH130241BA
GSH130251AC
GSH130251AE
GSH130301AC
GSH130301BA
GSH130311AC
GSH130311AE
GSH130361AC
GSH130361AD
GSH130361BA
GSH130361BB
GSH130363AC
GSH130363AD
GSH130421AC
GSH130421AD
GSH130421AE
GSH130481AC
GSH130481AD
GSH130483AC
GSH130483AD



This manual is to be used by qualified technicians only.

This manual replaces RP-436F.

© 2008 Goodman Manufacturing Company, L.P. ♦ 5151 San Felipe, Suite 500 ♦ Houston, TX 77056

Important Information

Index

Functional Parts List	3
Illustration and Parts	4 - 11

Views shown are for parts illustrations only, not servicing procedures.

Rev. G: Added model GSH130421AE.

Text Codes:

AR - As Required

NA - Not Available

NS - Not Shown

00000000 - See Note

QTY - Quantity Example (QTY 3) (If Quantity not shown, Quantity = 1)

M - Model Example (M1) (If M Code not shown, then part is used on all Models)

Expanded Model Nomenclature:

Example M1 - Model#1 M2 - Model#2 M3 - Model#3

Goodman Manufacturing Company, L.P. is not responsible for personal injury or property damage resulting from improper service. Review all service information before beginning repairs.

Warranty service must be performed by an authorized technician, using authorized factory parts. If service is required after the warranty expires, Goodman Manufacturing Company, L.P. also recommends contacting an authorized technician and using authorized factory parts.

Goodman Manufacturing Company, L.P. reserves the right to discontinue, or change at any time, specifications or designs without notice or without incurring obligations.

For assistance within the U.S.A. contact:
Consumer Affairs Department
Goodman Manufacturing Company, L.P.
7401 Security Way
Houston, Texas 77040
877-254-4729-Telephone
713-863-2382-Facsimile

For assistance outside the U.S.A. contact:
International Division
Goodman Manufacturing Company, L.P.
7401 Security Way
Houston, Texas 77040
713-861-2500-Telephone
713-863-2382-Facsimile

Functional Parts

Part

No: Description:

Expanded Model Nomenclature

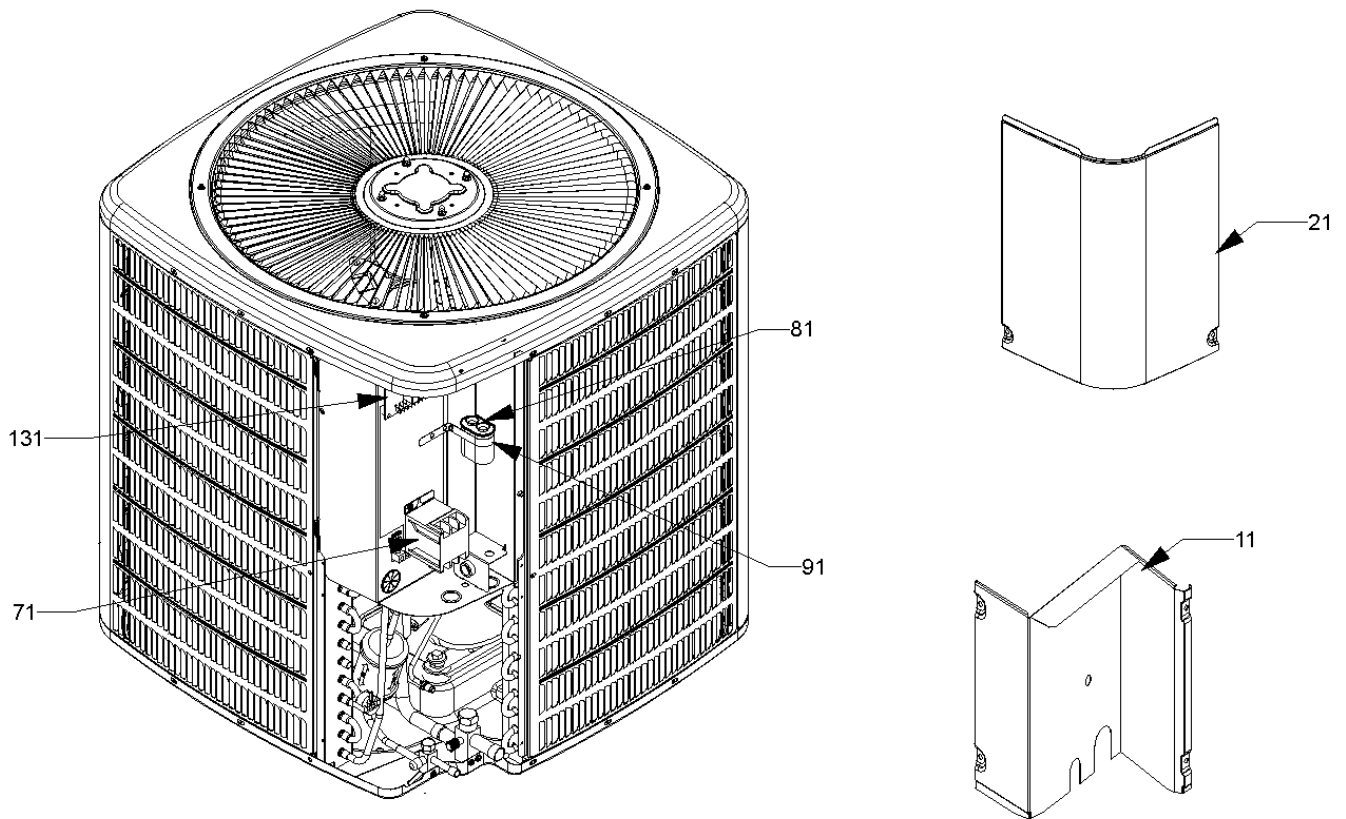
CAP050300370RSS	CAPACITOR 5/30/370V (M3, M4, M5)
CAP050350370RSS	CAPACITOR 5/35/370V (M1, M2, M6, M7, M10, M11)
CAP050000370VAS	CAPACITOR 5/370V (M16, M17, M23, M24)
CAP050400370RSS	CAPACITOR 5/40/370V (M8, M9)
CAP050550370RTS	CAPACITOR 5/50/370V (M18, M19, M20)
CAP050550370RTS	CAPACITOR 5/55/370V (M21, M22)
CR14K7PFV970	COMPRESSOR 14100, 208/230/60/1 (M1, M2)
ZR16K4PFV930	COMPRESSOR 16500, 208/230/60/1 (M3)
CR19K7PFV970	COMPRESSOR 19300, 208/230/60/1 (M4, M5)
ZR22K4PFV930	COMPRESSOR 22000, 208/230/60/1 (M6, M7)
ZR24K4PFV930	COMPRESSOR 24000, 208/230/60/1 (M10, M11)
CR24K7PFV970	COMPRESSOR 24300, 208/230/60/1 (M8, M9)
CR28K7TF5970	COMPRESSOR 28000, 200/230/60/3 (M16, M17)
CR28K7PFV970	COMPRESSOR 28300, 208/230/60/1 (M12, M13, M14, M15)
ZR36K3PFV930	COMPRESSOR 36900, 208/230/60/1 (M18, M19, M20)
ZR40K3PFV930	COMPRESSOR 40600, 208/230/60/1 (M21, M22)
ZR40K3TF5930	COMPRESSOR 40600, 208/230/60/3 (M23, M24)
0131M00014PS	COND MOTOR 1/4 HP, 1 SP, 8 PL (M12, M13, M14, M15, M16, M17, M18, M19, M20, M21, M22, M23, M24)
0131M00060S	COND MOTOR 1/6 HP, 1 SP, 8 PL (M1, M2, M3, M4, M5, M6, M7, M8, M9, M10, M11)
CONT3P025024VS	CONTACTOR 25 AMP, 3P, 24V (M16, M17, M23, M24)
CONT1P030024VS	CONTACTOR 30 AMP, 1P, 24V (M12, M13, M14, M15, M18, M19, M20, M21, M22)
CONT2P030024VS	CONTACTOR 30 AMP, 2P, 24V (M1, M2, M3, M4, M5, M6, M7, M8, M9, M10, M11)
B1360719	CUT-OUT SWITCH, LOW PRESSURE
PCBDM101S	DEFROST CONTROL BOARD
B1370803	DEFROST THERMOSTAT

M1 - GSH130181AC
M2 - GSH130181BA
M3 - GSH130191AC
M4 - GSH130241AC
M5 - GSH130241BA
M6 - GSH130251AC
M7 - GSH130251AE
M8 - GSH130301AC
M9 - GSH130301BA
M10 - GSH130311AC
M11 - GSH130311AE
M12 - GSH130361AC
M13 - GSH130361AD
M14 - GSH130361BA
M15 - GSH130361BB
M16 - GSH130363AC
M17 - GSH130363AD
M18 - GSH130421AC
M19 - GSH130421AD
M20 - GSH130421AE
M21 - GSH130481AC
M22 - GSH130481AD
M23 - GSH130483AC
M24 - GSH130483AD

SPECIAL PARTS

CAP050350440RSS	CAPACITOR 5/35/440V (M12, M13, M14, M15)
IO-259F	INSTALLATION INSTRUCTIONS (M1, M2, M3, M4, M5, M6, M7, M8, M9, M10, M11, M12, M13, M14, M15, M16, M17, M19, M20, M22, M24)
0161R00009P	NAMEPLATE
RP-436G	REPAIR PARTS MANUAL

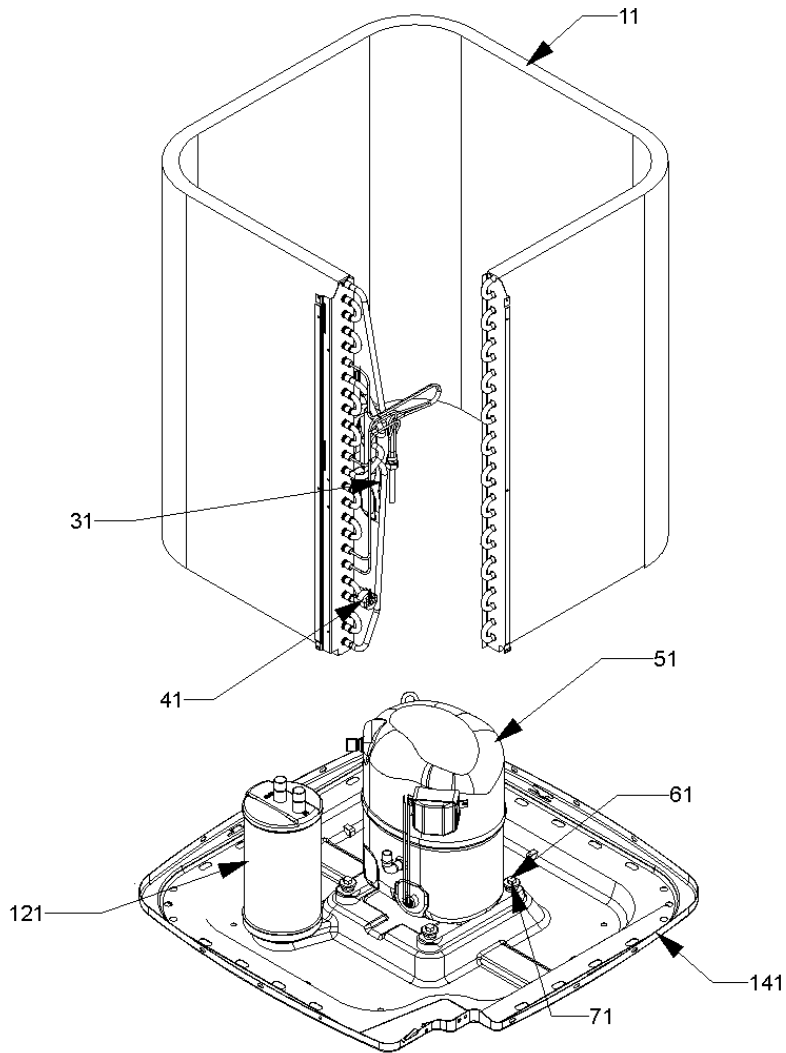
Control Cover/Control Box



Control Cover/Control Box

Ref. Part No:	No:	Description:	Ref. Part No:	No:	Description:
<i>Image 1:</i>			Expanded Model Nomenclature		
11	4400201PDG	LOWER ACCESS PANEL (M1, M2, M3, M5, M6, M7, M18, M19, M20)	M1	-	GSH130181AC
11	4400202PDG	LOWER ACCESS PANEL (M8, M9, M10, M11, M21, M22, M23, M24)	M2	-	GSH130181BA
11	4400203PDG	LOWER ACCESS PANEL (M4)	M3	-	GSH130191AC
11	4400205PDG	LOWER ACCESS PANEL (M12, M13, M14, M15, M16, M17)	M4	-	GSH130241AC
21	0121R00053PDG	CONTROL COVER	M5	-	GSH130241BA
71	CONT3P025024VS	CONTACTOR 25 AMP, 3P, 24V (M16, M17, M23, M24)	M6	-	GSH130251AC
71	CONT1P030024VS	CONTACTOR 30 AMP, 1P, 24V (M12, M13, M14, M15, M18, M19, M20, M21, M22)	M7	-	GSH130251AE
71	CONT2P030024VS	CONTACTOR 30 AMP, 2P, 24V (M1, M2, M3, M4, M5, M6, M7, M8, M9, M10, M11)	M8	-	GSH130301AC
81	CAP050300370RSS	CAPACITOR 5/30/370V (M3, M4, M5)	M9	-	GSH130301BA
81	CAP050350370RSS	CAPACITOR 5/35/370V (M1, M2, M6, M7, M10, M11)	M10	-	GSH130311AC
81	CAP050350440RSS	CAPACITOR 5/35/440V (M12, M13, M14, M15)	M11	-	GSH130311AE
81	CAP050000370VAS	CAPACITOR 5/370V (M16, M17, M23, M24)	M12	-	GSH130361AC
81	CAP050400370RSS	CAPACITOR 5/40/370V (M8, M9)	M13	-	GSH130361AD
81	CAP050550370RTS	CAPACITOR 5/50/370V (M18, M19, M20)	M14	-	GSH130361BA
81	CAP050550370RTS	CAPACITOR 5/55/370V (M21, M22)	M15	-	GSH130361BB
91	4400065	CAPACITOR STRAP	M16	-	GSH130363AC
131	PCBDM101S	DEFROST CONTROL BOARD	M17	-	GSH130363AD
NS	0161R00009P	NAMEPLATE	M18	-	GSH130421AC
			M19	-	GSH130421AD
			M20	-	GSH130421AE
			M21	-	GSH130481AC
			M22	-	GSH130481AD
			M23	-	GSH130483AC
			M24	-	GSH130483AD

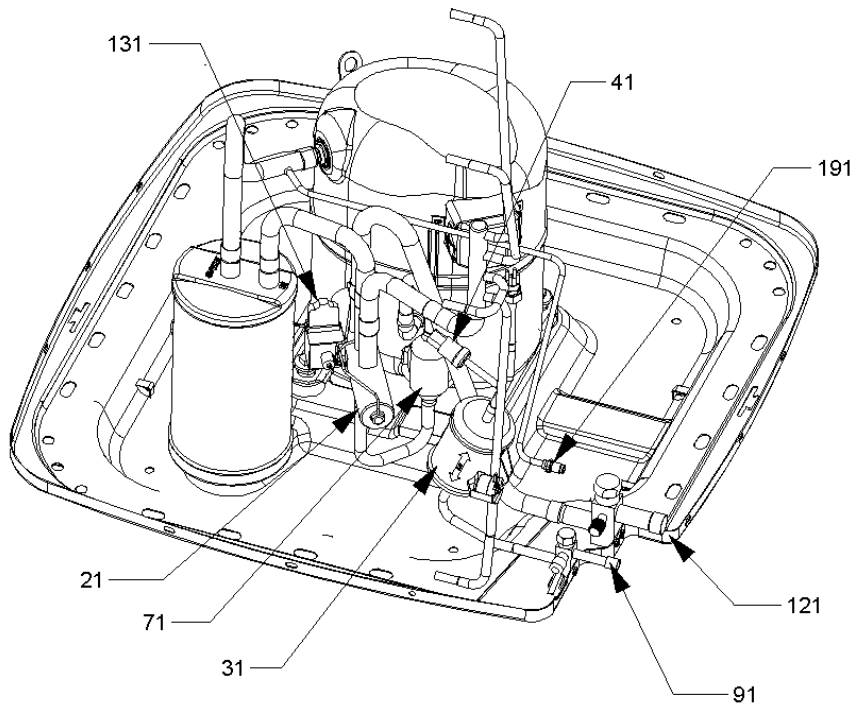
Basepan/Compressor/Coil Assembly



Basepan/Compressor/Coil Assembly

Ref. Part No:	Ref. Part No:	Description:	Description:
<i>Image 1:</i>		<i>Image 1:</i>	
11	0201R00058S	TUBING ASSY, COND COIL (M6, M7)	BASE PAN 29" (M1, M3, M4, M6, M7, M8, M10, M11, M12, M13, M14, M15, M16, M17, M18, M19, M20, M21, M22, M23, M24)
11	0201R00066S	TUBING ASSY, COND COIL (M10, M11)	
11	0201R00068S	TUBING ASSY, COND COIL (M21, M22, M23, M24)	
11	0201R00070S	TUBING ASSY, COND COIL (M18, M19, M20)	
11	0201R00196S	TUBING ASSY, COND COIL (M9)	
11	0201R00207	TUBING ASSY, COND COIL (M2)	
11	0201R00210	TUBING ASSY, COND COIL (M5)	
11	1362200	TUBING ASSY, COND COIL (M1, M3)	
11	1362202	TUBING ASSY, COND COIL (M8)	
11	1362203	TUBING ASSY, COND COIL (M12, M13, M14, M15, M16, M17)	
11	1362207	TUBING ASSY, COND COIL (M4)	
31	0162M00013PS	FLOWRATOR .039 (M1, M3)	
31	0162M00089S	FLOWRATOR .039 (M2)	
31	0162M00014PS	FLOWRATOR .043 (M4)	
31	0162M00032S	FLOWRATOR .046 (M6, M7)	
31	0162M00091S	FLOWRATOR .047 (M5)	
31	0162M00015PS	FLOWRATOR .049 (M8, M10, M11)	
31	0162M00016PS	FLOWRATOR .055 (M12, M13, M14, M15, M16, M17)	
31	0162M00090S	FLOWRATOR .057 (M9)	
31	0162M00017PS	FLOWRATOR .062 (M18, M19, M20)	
31	0162M00018PS	FLOWRATOR .065 (M21, M22, M23, M24)	
41	B1370803	DEFROST THERMOSTAT	
51	CR14K7PFV970	COMPRESSOR 14100, 208/230/60/1 (M1, M2)	
51	ZR16K4PFV930	COMPRESSOR 16500, 208/230/60/1 (M3)	
51	CR19K7PFV970	COMPRESSOR 19300, 208/230/60/1 (M4, M5)	
51	ZR22K4PFV930	COMPRESSOR 22000, 208/230/60/1 (M6, M7)	
51	ZR24K4PFV930	COMPRESSOR 24000, 208/230/60/1 (M10, M11)	
51	CR24K7PFV970	COMPRESSOR 24300, 208/230/60/1 (M8, M9)	
51	CR28K7TF5970	COMPRESSOR 28000, 200/230/60/3 (M16, M17)	
51	CR28K7PFV970	COMPRESSOR 28300, 208/230/60/1 (M12, M13, M14, M15)	
51	ZR36K3PFV930	COMPRESSOR 36900, 208/230/60/1 (M18, M19, M20)	
51	ZR40K3PFV930	COMPRESSOR 40600, 208/230/60/1 (M21, M22)	
51	ZR40K3TF5930	COMPRESSOR 40600, 208/230/60/3 (M23, M24)	
61	B1339530	COMPRESSOR GROMMET (M1, M2, M4, M5, M8, M9, M12, M13, M14, M15, M16, M17)	
61	B1339533	COMPRESSOR GROMMET (M3, M6, M7, M10, M11, M18, M19, M20, M21, M22, M23, M24)	
71	M0221641	TF SHOULDER SCREW (QTY 4)	
121	B1226206	ACCUMULATOR (M1, M2, M3, M4, M5, M6, M7, M8, M9, M10, M11)	
121	B1226207	ACCUMULATOR (M12, M13, M14, M15, M16, M17, M18, M19, M20, M21, M22, M23, M24)	
141	0121R00005PDG	BASE PAN 26" (M2, M5, M9)	
		Expanded Model Nomenclature	
		M1 - GSH130181AC	
		M2 - GSH130181BA	
		M3 - GSH130191AC	
		M4 - GSH130241AC	
		M5 - GSH130241BA	
		M6 - GSH130251AC	
		M7 - GSH130251AE	
		M8 - GSH130301AC	
		M9 - GSH130301BA	
		M10 - GSH130311AC	
		M11 - GSH130311AE	
		M12 - GSH130361AC	
		M13 - GSH130361AD	
		M14 - GSH130361BA	
		M15 - GSH130361BB	
		M16 - GSH130363AC	
		M17 - GSH130363AD	
		M18 - GSH130421AC	
		M19 - GSH130421AD	
		M20 - GSH130421AE	
		M21 - GSH130481AC	
		M22 - GSH130481AD	
		M23 - GSH130483AC	
		M24 - GSH130483AD	

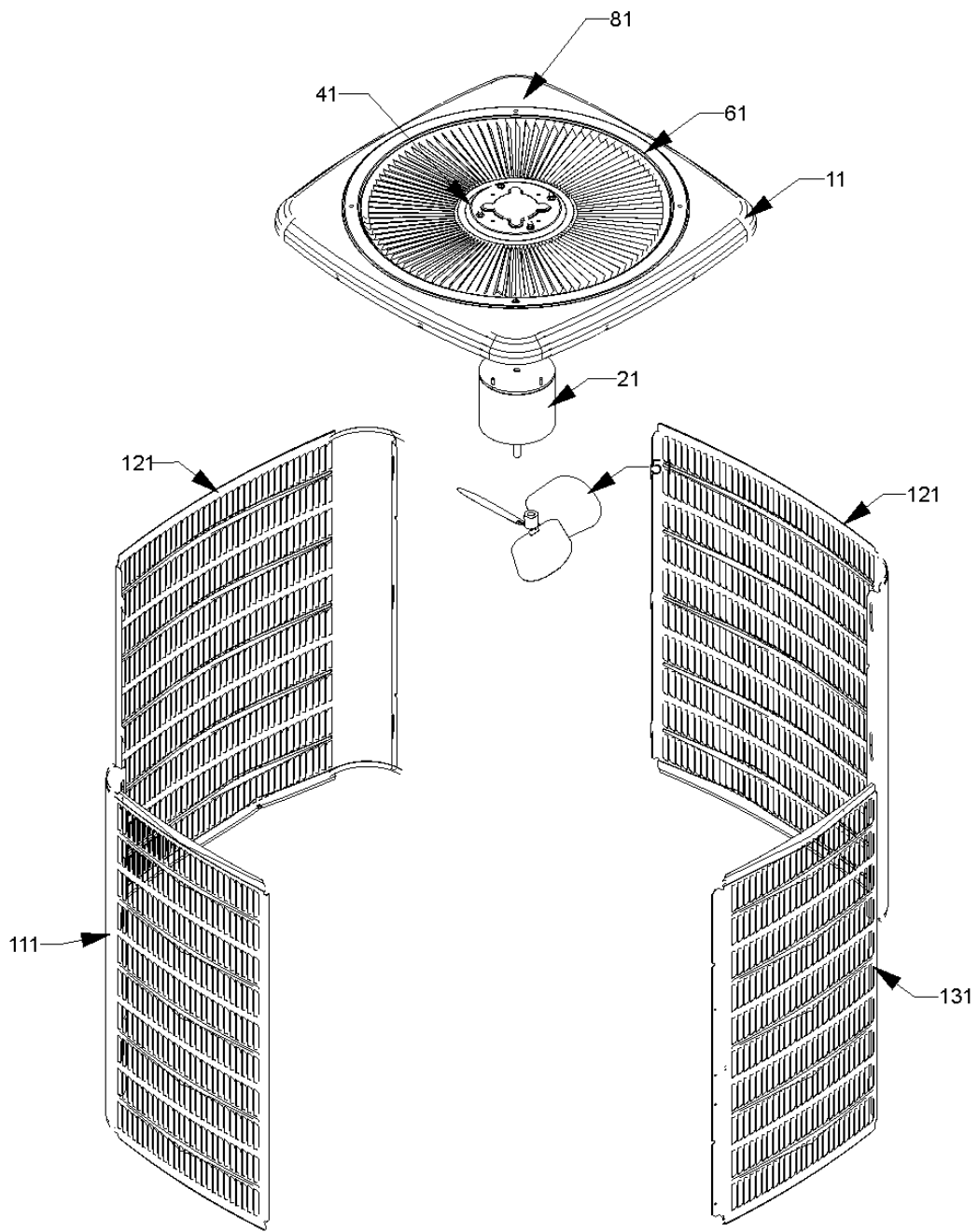
Tubing Assembly



Tubing Assembly

Ref. Part No:	No:	Description:	Ref. Part No:	No:	Description:
<i>Image 1:</i>			Expanded Model Nomenclature		
21	B1227315S	REVERSING VALVE (M1, M2, M3, M4, M5, M6, M7)	M1 - GSH130181AC		
21	B1227316S	REVERSING VALVE (M8, M9, M10, M11)	M2 - GSH130181BA		
21	B1227317S	REVERSING VALVE (M12, M13, M14, M15, M16, M17, M18, M19, M21, M22, M23, M24)	M3 - GSH130191AC		
21	B1227318S	REVERSING VALVE (M20)	M4 - GSH130241AC		
31	B1219204	BI-FLOW FILTER DRIER, STEEL	M5 - GSH130241BA		
41	B1360719	CUT-OUT SWITCH, LOW PRESSURE	M6 - GSH130251AC		
71	B1219301	MUFFLER 1/2 X 1/2 (M1, M2, M4, M5, M7, M8, M9, M11, M12, M13, M14, M15, M16, M17)	M7 - GSH130251AE		
91	0151R00002P	3/4" SERVICE VALVE OPEN LEFT (M1, M2, M3, M4, M5, M6, M7, M8, M9, M10, M11)	M8 - GSH130301AC		
91	0151R00003P	7/8" SERVICE VALVE OPEN LEFT (M12, M13, M14, M15, M16, M17, M18, M19, M20, M21, M22, M23, M24)	M9 - GSH130301BA		
121	B12825171	3/8" SERVICE VALVE	M10 - GSH130311AC		
131	B1225020	SOLENOID COIL CORD W/1/4" TERMINAL	M11 - GSH130311AE		
191	B1787000	VALVE CORE	M12 - GSH130361AC		
NS	B1789852	FLOW CHECK PISTON KIT .052 (M1, M3)	M13 - GSH130361AD		
NS	B1789855	FLOW CHECK PISTON KIT .055 (M2)	M14 - GSH130361BA		
NS	B1789861	FLOW CHECK PISTON KIT .061 (M4, M5, M6, M7)	M15 - GSH130361BB		
NS	B1789865	FLOW CHECK PISTON KIT .065 (M10, M11)	M16 - GSH130363AC		
NS	B1789868	FLOW CHECK PISTON KIT .068 (M8)	M17 - GSH130363AD		
NS	B1789870	FLOW CHECK PISTON KIT .070 (M9)	M18 - GSH130421AC		
NS	B1789873	FLOW CHECK PISTON KIT .073 (M12, M13, M14, M15, M16, M17)	M19 - GSH130421AD		
NS	B1789882	FLOW CHECK PISTON KIT .082 (M18, M19, M20)	M20 - GSH130421AE		
NS	B1789884	FLOW CHECK PISTON KIT .084 (M21, M22, M23, M24)	M21 - GSH130481AC		
NS	B1225022S	SOLENOID COIL	M22 - GSH130481AD		
			M23 - GSH130483AC		
			M24 - GSH130483AD		

Cabinet Top/Side Panels



Cabinet Top/Side Panels

**Ref. Part
No: No:**

Description:

**Ref. Part
No: No:**

Description:

Image 1:

11	0121R00008PDG	TOP PANEL 26" (M2, M5, M9)
11	0121R00010PDG	TOP PANEL 29" (M1, M3, M4, M6, M7, M8, M10, M11, M12, M13, M14, M15, M16, M17, M18, M19, M20, M21, M22, M23, M24)
21	0131M00014PS	COND MOTOR 1/4 HP, 1 SP, 8 PL (M12, M13, M14, M15, M16, M17, M18, M19, M20, M21, M22, M23, M24)
21	0131M00060S	COND MOTOR 1/6 HP, 1 SP, 8 PL (M1, M2, M3, M4, M5, M6, M7, M8, M9, M10, M11)
41	0163M00006P	ACORN NUT 5/16 HEX BLACK (QTY 4)
51	0150M00016S	FAN BLADE (M1)
51	0150M00018S	FAN BLADE 20" (M2, M5)
51	0150M00012S	FAN BLADE 20" CCW (M9)
51	0150M00006S	FAN BLADE 22" (M3, M4, M6, M7, M8, M10, M11)
51	0150M00008S	FAN BLADE 22" TNT2203-25 (M12, M13, M14, M15, M16, M17, M18, M19, M20)
51	B1086765S	FAN BLADE TYPE 3 (M21, M22, M23, M24)
61	0161L00000	VENTURI RING 22" (M1, M3, M4, M6, M7, M8, M10, M11, M12, M13, M14, M15, M16, M17, M18, M19, M20, M21, M22, M23, M24)
81	0163M00034	SCREW,#10X3/4",SELF-PIERCE,BLK (QTY 4)
111	0121R00015PDGB	LOUVERED SIDE PANEL (M2, M5)
111	0121R00024PDGB	LOUVERED SIDE PANEL (M1, M3, M6, M7, M18, M19, M20)
111	0121R00025PDGB	LOUVERED SIDE PANEL (M8, M10, M11, M21, M22, M23, M24)
111	0121R00026PDGB	LOUVERED SIDE PANEL (M4)
111	0121R00027PDGB	LOUVERED SIDE PANEL (M12, M13, M14, M15, M16, M17)
111	0121R00151PDGB	LOUVERED SIDE PANEL (M9)
121	0121R00018PDGB	LOUVERED SIDE PANEL (M2, M5)
121	0121R00030PDGB	LOUVERED SIDE PANEL (M1, M3, M6, M7, M18, M19, M20)
121	0121R00031PDGB	LOUVERED SIDE PANEL (M8, M10, M11, M21, M22, M23, M24)
121	0121R00032PDGB	LOUVERED SIDE PANEL (M4)
121	0121R00033PDGB	LOUVERED SIDE PANEL (M12, M13, M14, M15, M16, M17)
121	0121R00152PDGB	LOUVERED SIDE PANEL (M9)
131	0121R00021PDG	LOUVERED SIDE PANEL (M2, M5)
131	0121R00036PDG	LOUVERED SIDE PANEL (M1, M3, M6, M7, M18, M19, M20)
131	0121R00037PDG	LOUVERED SIDE PANEL (M8, M10, M11, M21, M22, M23, M24)
131	0121R00038PDG	LOUVERED SIDE PANEL (M4)
131	0121R00039PDG	LOUVERED SIDE PANEL (M12, M13, M14, M15, M16, M17)
131	0121R00153PDG	LOUVERED SIDE PANEL (M9)
NS	0161R00001P	CONDUIT (M2, M5, M9)
NS	0161R00002P	CONDUIT (M1, M3, M4, M6, M7, M8, M10, M11, M12, M13, M14, M15, M16, M17, M18, M19, M20, M21, M22, M23, M24)

Expanded Model Nomenclature

M1 - GSH130181AC
M2 - GSH130181BA
M3 - GSH130191AC
M4 - GSH130241AC
M5 - GSH130241BA
M6 - GSH130251AC
M7 - GSH130251AE
M8 - GSH130301AC
M9 - GSH130301BA
M10 - GSH130311AC
M11 - GSH130311AE
M12 - GSH130361AC
M13 - GSH130361AD
M14 - GSH130361BA
M15 - GSH130361BB
M16 - GSH130363AC
M17 - GSH130363AD
M18 - GSH130421AC
M19 - GSH130421AD
M20 - GSH130421AE
M21 - GSH130481AC
M22 - GSH130481AD
M23 - GSH130483AC
M24 - GSH130483AD

